

VN-Duct ATEX



ATEX axial duct fan.

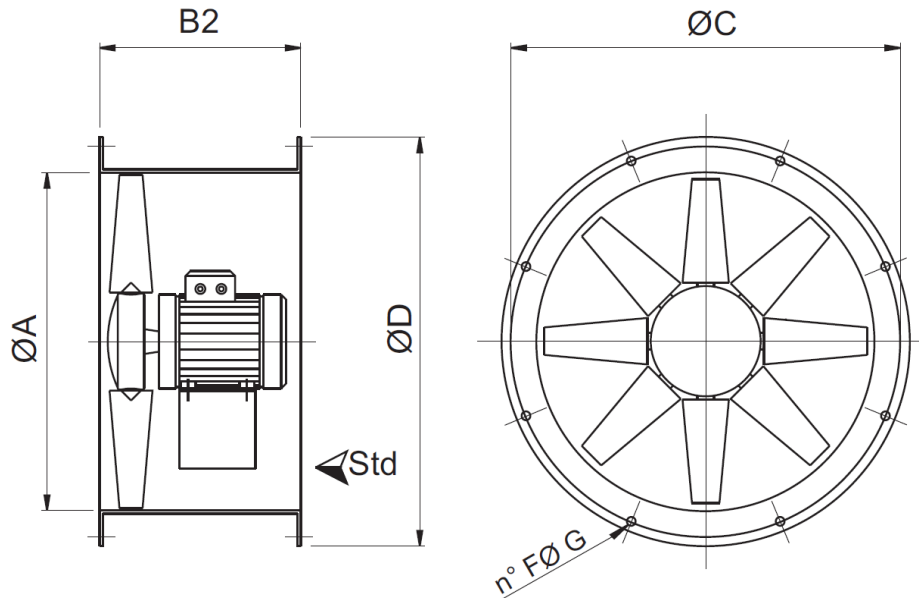
The possibilities are extensive and besides the diameter of the impeller and speed, also the fan can be configured by different types of impellers, the angle of the impeller and the motor power.

If you are looking for a fan with a specific working point, please don't hesitate to contact us by phone +31 (0)416 391999 or email info@ventinet.nl and we will select the right fan for you.

Sizes	310 up to 1.600 mm
Motor	Atex motor IP55, 230/1/50 or 400/50
Capacity	up to 200.000 m ³ /h
Pressure	up to 1.600 Pa
Control	Frequency converter
Casing	Steel / Aluminum / Stainless steel
Impeller	Plastic / Aluminum
Airflow	Motor → Impeller / Impeller → Motor
Extra	Motors for different voltages, frequencies and with certificates
Atex	Gas : zone 1 II2G and 2 II3G Dust on request: zone 21 II2D and 22 II3D
Accessories	Inlet cone / Silencers / Protection grid / Shutters / Inspection window / Flexible connections / Anti-vibration mounts / Support feet / Flanges / Switches/ Terminal box / Frequency converters

More information about the capacities and pressures on request

Indication dimensions VN-Duct ATEX



Model	Ø A	B2	Ø C	Ø D	F	G
310	310	400	355	390	8	10
350	360	400	395	430	8	10
400	410	400	450	490	8	12
450	460	450	500	540	8	12
500	510	450	560	600	12	12
560	570	450	620	655	12	12
630	640	500	690	725	12	12
710	710	600	770	805	16	12
800	810	600	860	905	16	12
900	910	700	970	1010	16	16
100	1010	800	1070	1115	16	16
1120	1130	800	1190	1235	20	16
1250	1260	800	1320	1365	20	16
1400	1400	1100	1470	1520	20	16
1600	1600	1400	1690	1745	24	25

Also shorter casings possible (dimension B2) → type Ms and Mm